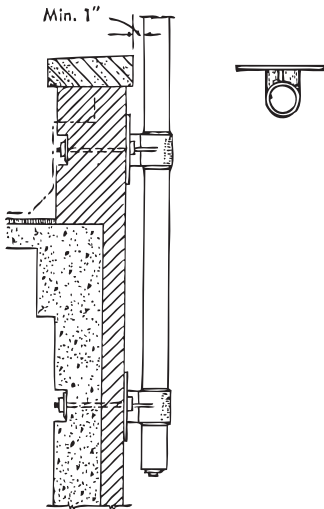
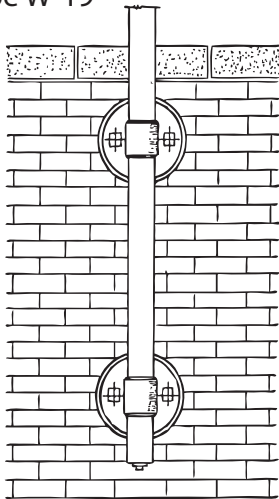


type W-19



upper and lower brackets

pole butt diam	wall plate	horiz bolt spacing C to C in.	bolt diam
in.	in.		in.
3 to 4	10 dia. x $\frac{3}{8}$	7	$\frac{5}{8}$
4 1/2 to 6	12 dia. x $\frac{1}{2}$	9	$\frac{3}{4}$
6 5/8 to 8	14 dia. x $\frac{1}{2}$	11	$\frac{3}{4}$